



DESPIECE 71001013



Categoría productos: Hidrolavadora
Grupo producto: ELÉCTRICO
Potencia: 1800W

Versión: 1800w





FIGURA 1

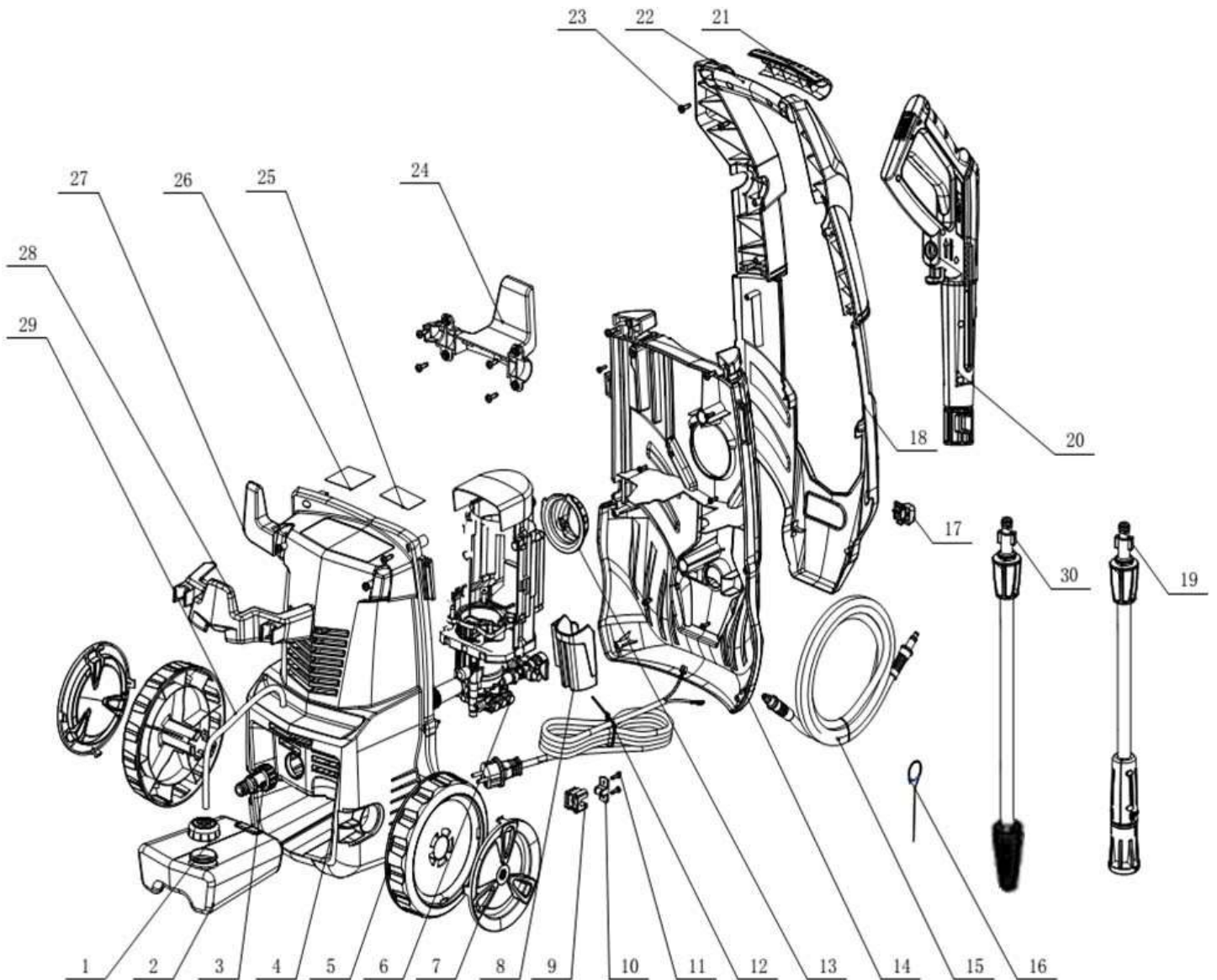




FIG. 1 ARIZONA

Nº	Ref. Cofan	Nº Ref. Rec	Descripción	English name	Uds.
1	71001013.001	LT504-1800B-F1-01	TAPON	CAP	1
2	71001013.002	LT504-1800B-F1-02	DEPOSITO DETERGENTE	DETERGENT TANK	1
3	71001013.003	LT504-1800B-F1-03	FILTRO Y CONECTOR ENTRADA	WATER INLET CONNECTOR & FILTER	1
4	71001013.004	LT504-1800B-F1-04	CARCASA TRASERA	BACK HOUSING	1
5	71001013.005	LT504-1800B-F1-05	RUEDA	WHEEL	2
6	71001013.006	LT504-1800B-F1-06	CONJUNTO MOTOR Y BOMBA	MOTOR & PUMP ASSY	1
7	71001013.007	LT504-1800B-F1-07-B	TAPA RUEDA BLUE	BLUE WHEEL COVER	2
8	71001013.008	LT504-1800B-F1-08	SOPORTE PISTOLA	GUN HOLDER	1
9	71001013.009	LT504-1800B-F1-09	SUJETA CABLE	CABLE JACKET	1
10	71001013.010	LT504-1800B-F1-10	PLACA SUJETA CABLE	CABLE PRESS PLATE	1
11	71001013.011	LT504-1800B-F1-11	TORNILLO	SCREW	8
12	71001013.012	LT504-1800B-F1-12	CABLE + CLAVIJA	POWER CABLE	1
13	71001013.013	LT504-1800B-F1-13-B	POMO BLUE INTERRUPTOR	SWITCH BLUE KNOB	1
14	71001013.014	LT504-1800B-F1-14	CARCASA DELANTERA	FRONT HOUSING	1
15	71001013.015	LT504-1800B-F1-15	MANGUERA PRESION	PRESSURE HOSE	1
16	71001013.016	LT504-1800B-F1-16	VARILLA LIMPIEZA	CLEANING PIN	1
17	71001013.017	LT504-1800B-F1-17-B	INTERRUPTOR BLUE	BLUE BUTTON	1
18	71001013.018	LT504-1800B-F1-18	EMBELLECEDOR DELANTERO	DECORATE PLATE	1
19	71001013.019	LT504-1800B-F1-19	LANZA	ADJUSTABLE NOZZLE	1
20	71001013.020	LT504-1800B-F1-20	PISTOLA	GUN	1
21	71001013.021	LT504-1800B-F1-21-B	FUNDA ASIDERO BLUE	HANDLE SLEEVE	1
22	71001013.022	LT504-1800B-F1-22	ASIDERO	HANDLE	1
23	71001013.023	LT504-1800B-F1-23	TORNILLO	SCREW	16
24	71001013.024	LT504-1800B-F1-24	SOPORTE MANGUERA	HOSE HOOK	1
25	71001013.025	LT504-1800B-F1-25	ETIQUETA	WARNING LABEL	1
26	71001013.026	LT504-1800B-F1-26	ETIQUETA	RATING LABEL	1
27	71001013.027	LT504-1800B-F1-27	SOPORTE CABLE	POWER CABLE HOOK	1
28	71001013.028	LT504-1800B-F1-28	SOPORTE ACCESORIOS	ACCESSORIES HOLD	1
29	71001013.029	LT504-1800B-F1-29	TUBO DETERGENTE	DETERGENT TUBE	1
30	71001013.030	LT504-1800B-F1-30	LANZA TURBO	TURBO LANCE	1





FIGURA 2

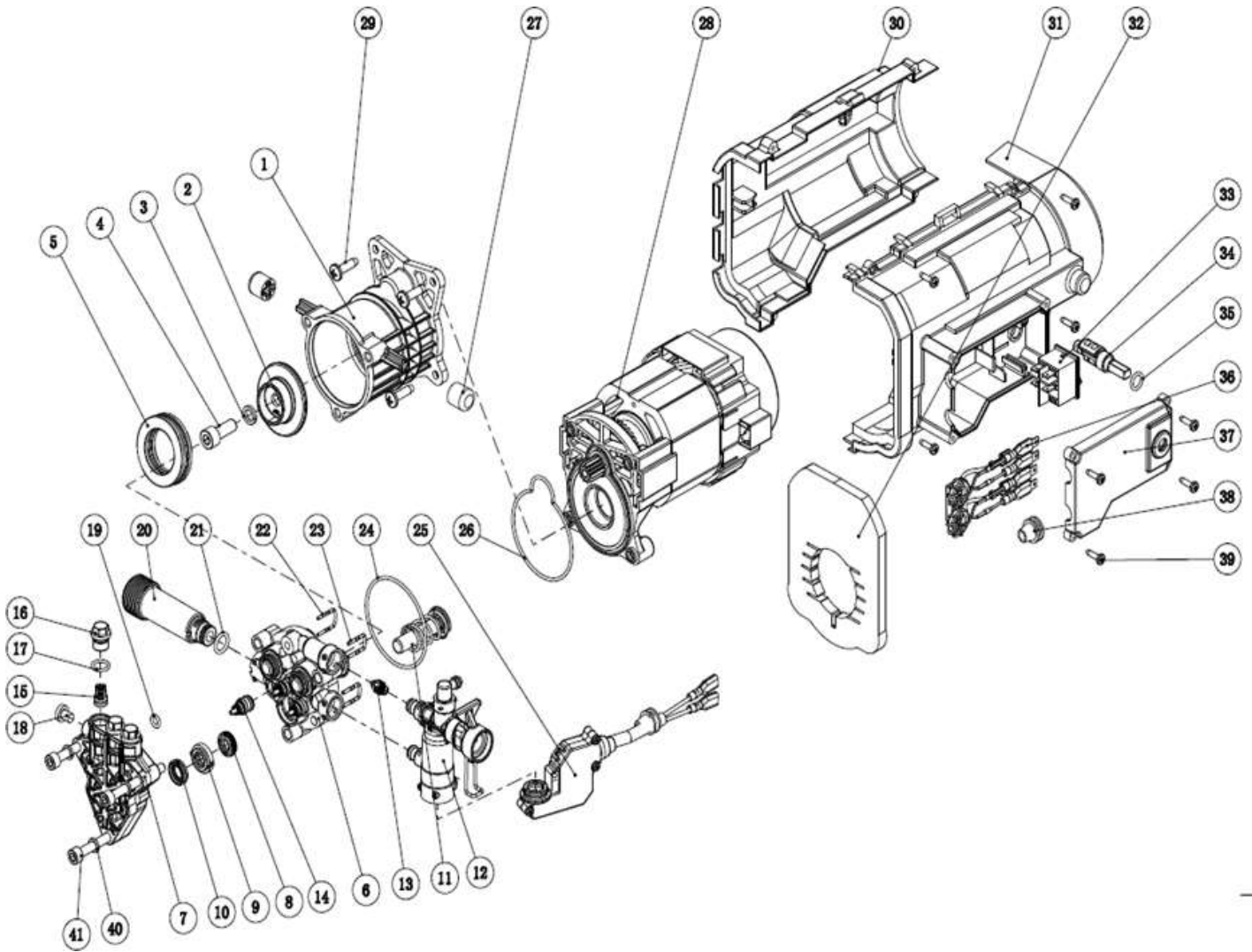




FIG. 2 ARIZONA

Nº	Ref. Cofan	Nº Ref. Rec	Descripción	English name	Uds.
1	71001013.031	MP102-F2-01	CONJUNTO CILINDRO ACEITE	OIL CYLINDER ASSY	1
2	71001013.032	MP102-F2-02	POLEA	SWASH PLATE	1
3	71001013.033	MP102-F2-03	JUNTA 8	GASKET 8	1
4	71001013.034	MP102-F2-04	TORNILLO M8X20	BOLT M8*20	1
5	71001013.035	MP102-F2-05	COJINETE	BEARING	1
6	71001013.036	MP102-F2-06	CUERPO BOMBA	PUMP BODY	1
7	71001013.037	MP102-F2-07	TAPA BOMBA	PUMP COVER	1
8	71001013.038	MP102-F2-08	RETEN 10X16X4	PLUNGER OIL SEAL 10X16X4	3
9	71001013.039	MP102-F2-09	SOPORTE RETEN	OIL SEAL BRACKET	3
10	71001013.040	MP102-F2-10	JUNTA 10X16X4	WATER SEAL 10*16*4	3
11	71001013.041	MP102-F2-11	CONJUNTO EMBOLO	PLUNGER ASSY	3
12	71001013.042	MP102-F2-12	CONECTOR MANGUERA SALIDA	OUTLET HOSE ASSY	1
13	71001013.043	MP102-F2-13	VALVULA PRESION	BACK PRESSURE VALVE ASSY	1
14	71001013.044	MP102-F2-14	VALVULA CONTROL ENTRADA	INLET CHECKING VALVE ASSY	3
15	71001013.045	MP102-F2-15	VALVULA CONTROL SALIDA	OUTLET CHECKING VALVE ASSY	3
16	71001013.046	MP102-F2-16	TAPON VALVULA	CHECKING VALVE CAP	3
17	71001013.047	MP102-F2-17	ANILLO 9.5X1.8	O RING 9.5X1.8	3
18	71001013.048	MP102-F2-18	TORNILLO M6X8	BOLT M6*8	1
19	71001013.049	MP102-F2-19	ANILLO 5.5X2	O RING 5.5X2	1
20	71001013.050	MP102-F2-20	MANGUERA ENTRADA	INLET HOSE	1
21	71001013.051	MP102-F2-21	ANILLO 10X2.2	O RING 10X2.2	1
22	71001013.052	MP102-F2-22	PASADOR U	U PIN	1
23	71001013.053	MP102-F2-23	PASADOR U	U PIN	2
24	71001013.054	MP102-F2-24	ANILLO 58X2	O RING 58X2	1
25	71001013.055	MP102-F2-25	INTERRUPTOR ON-OFF	ON-OFF SWITCH ASSY	1
26	71001013.056	MP102-F2-26	ANILLO JUNTA	SEAL RING	1
27	71001013.057	MP102-F2-27	CASQUILLO	DAMPING RING	2
28	71001013.058	MP102-F2-28	MOTOR	MOTOR	1
29	71001013.059	MP102-F2-29	TORNILLO ST5.5X20	BOLT ST5.5X20	4
30	71001013.060	MP102-F2-30	TAPA INFERIOR	FAN COVER DOWN	1
31	71001013.061	MP102-F2-31	TAPA SUPERIOR	FAN COVER UP	1
32	71001013.062	MP102-F2-32	FILTRO	FAN COVER FILTER	1
33	71001013.063	MP102-F2-33	INTERRUPTOR PRINCIPAL	MAIN SWITCH	1
34	71001013.064	MP102-F2-34	PALANCA ACCIONAMIENTO	SWITCH DRIVING LEVER	1
35	71001013.065	MP102-F2-35	ANILLO 8X2	O RING 8X2	1
36	71001013.066	MP102-F2-36	CONDENSADOR	CAPACITOR ASSY	1
37	71001013.067	MP102-F2-37	TAPA INTERRUPTOR	SWITCH COVER	1
38	71001013.068	MP102-F2-38	TAPA CABLE	OUTLET WIRE COVER	1
39	71001013.069	MP102-F2-39	TORNILLO ST3.5X13	BOLT ST3.5X13	8
40	71001013.070	MP102-F2-40	JUNTA 6	GASKET 6	3
41	71001013.071	MP102-F2-41	TORNILLO M6X55	BOLT M6X55	3

