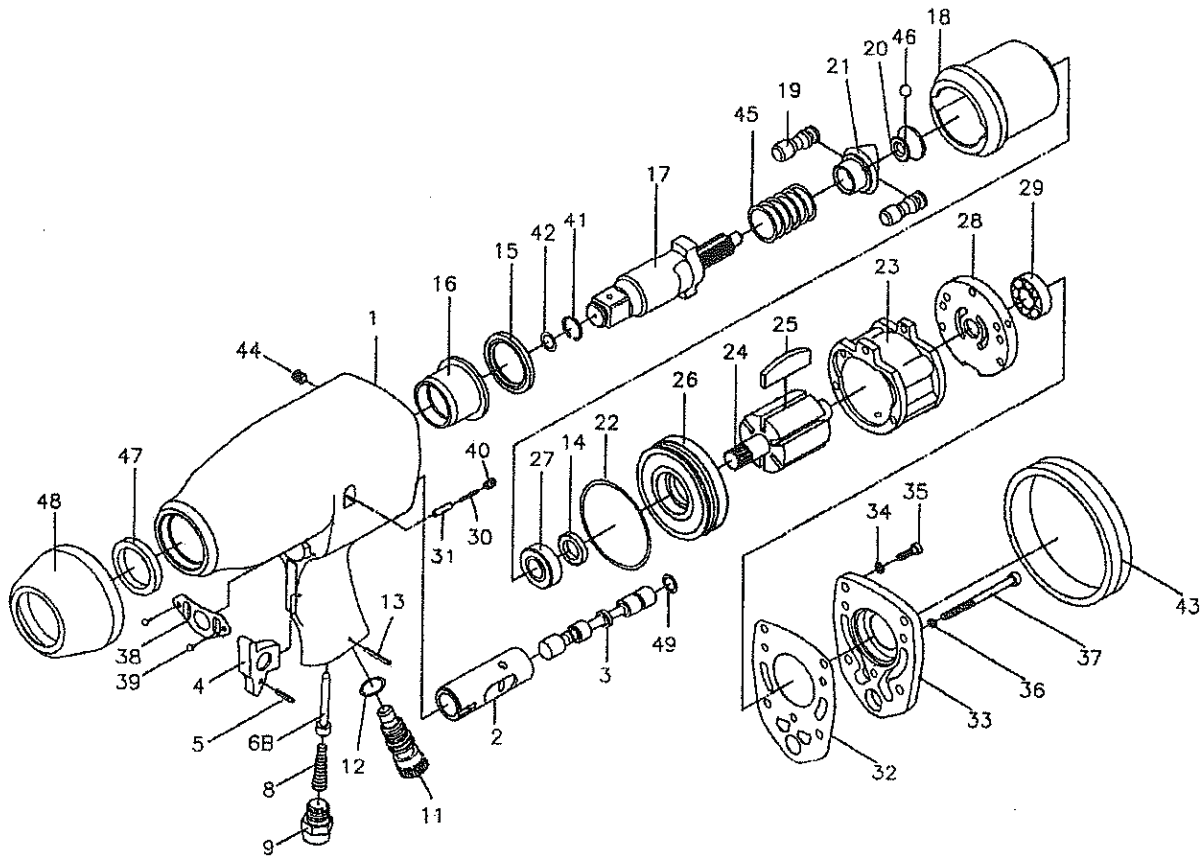


# 0900 0110 - PISTOLA IMPACTO 3/4"



## SPECIFICATIONS :

\* SQUARE DRIVE ----- 3/4"  
 \* MAX TORQUE ----- 96.6 Kgf-m  
 \* AIR PRESSURE ----- 6.2 Bar  
 \* AIR INLET ----- 1/4"-PT

\* BOLT CAPACITY ----- 25mm  
 \* FREE SPEED ----- 4800 RPM  
 \* HOSE SIZE ----- 3/8" ID

REF NO.	PARTS NO.	PARTS NO. II	DESCRIPTION	Q'TY	REF NO.	PARTS NO.	PARTS NO. II	DESCRIPTION	Q'TY
1	0900011001	T5061A-01	HOUSING	1	30	0900011030	T5061A-30	SPRING	1
2	0900011002	T5061A-02	VALVE SLEEVE	1	31	0900011031	T5061A-31	PIN	1
3	0900011003	T5061A-03	REVERSE VALVE	1	32	0900011032	T5061A-32	REAR GASKET	1
4	0900011004	T5061A-04	TRIGGER	1	33	0900011033	T5061A-33	REAR COVER	1
5	0900011005	T5061A-05	PIN (Ø3×16L)	1	34	0900011034	T5061A-34	WASHER	4
6B	0900011006B	T5061A-06B	VALVE STEM	1	35	0900011035	T5061A-35	SCREW (M6×20L)	4
8	0900011008	T5061A-08	SPRING	1	36	0900011036	T5061A-36	WASHER (5mm)	3
9	0900011009	T5061A-09	HOSE ADAPTER	1	37	0900011037	T5061A-37	SCREW (M5×68L)	3
11	0900011011	T5061A-11	AIR REGULATOR	1	38	0900011038	T5061A-38	EXHAUST DEFLECTOR	1
12	0900011012	T5061A-12	"O" RING (d15×W2.0)	1	39	0900011039	T5061A-39	SCREW (M3×8L)	2
13	0900011013	T5061A-13	PIN (Ø4×24L)	1	40	0900011040	T5061A-40	SCREW (M5×8L)	1
14	0900011014	T5061A-14	OIL SEAL (15×25×4)	1	41	0900011041	T5061A-41	ANVIL COLLAR	1
15	0900011015	T5061A-15	SPACER	1	42	0900011042	T5061A-42	"O" RING (d10.0×W2.5)	1
16	0900011016	T5061A-16	ANVIL BUSHING	1	43	0900011043	T5061A-43	PROTECTING RUBBER	1
17	0900011017	T5061A-17	ANVIL	1	44	0900011044	T5061A-44	SCREW (5/16"×5/16"L)	1
18	0900011018	T5061A-18	HAMMER CAGE	1	45	0900011045	T5061A-45	SPRING	1
19	0900011019	T5061A-19	HAMMER PIN	2	46	0900011046	T5061A-46	STEEL BALL (Ø13/32")	1
20	0900011020	T5061A-20	DRIVE CAM FOUNDATION	1	47	0900011047	T5061A-47	OIL SEAL (32×43×6)	1
21	0900011021	T5061A-21	DRIVE CAM	1	48	0900011048	T5061A-48	PROTECTING RUBBER	1
22	0900011022	T5061A-22	O-RING (d65.0×W3.5)	1	49	0900011049	T5061A-49	O-RING (d10.0×W2.0)	1
23	0900011023	T5061A-23	CYLINDER	1	**K01	09000110K01	T5061A-K-01	HAMMER OVERHAUL KIT : (17,19,20,21,32,41,42,45,46,47)	1SET
24	0900011024	T5061A-24	ROTOR	1	**K02	09000110K02	T5061A-K-02	MOTOR OVERHAUL KIT : (14,22,23,25,26,27,28,29,32)	1SET
25	0900011025	T5061A-25	ROTOR BLADE	6	**K03	09000110K03	T5061A-K-03	THROTTLE VALVE KIT : (4,5,6B,8,9)	1SET
26	0900011026	T5061A-26	FRONT END PLATE	1					
27	0900011027	T5061A-27	BALL BEARING (6002 Z)	1					
28	0900011028	T5061A-28	REAR END PLATE	1					
29	0900011029	T5061A-29	BALL BEARING (6002)	1					

## Optional Parts



\*\* To get maximum performance and life of your tool, replace the whole set of Parts Kit is highly recommended.