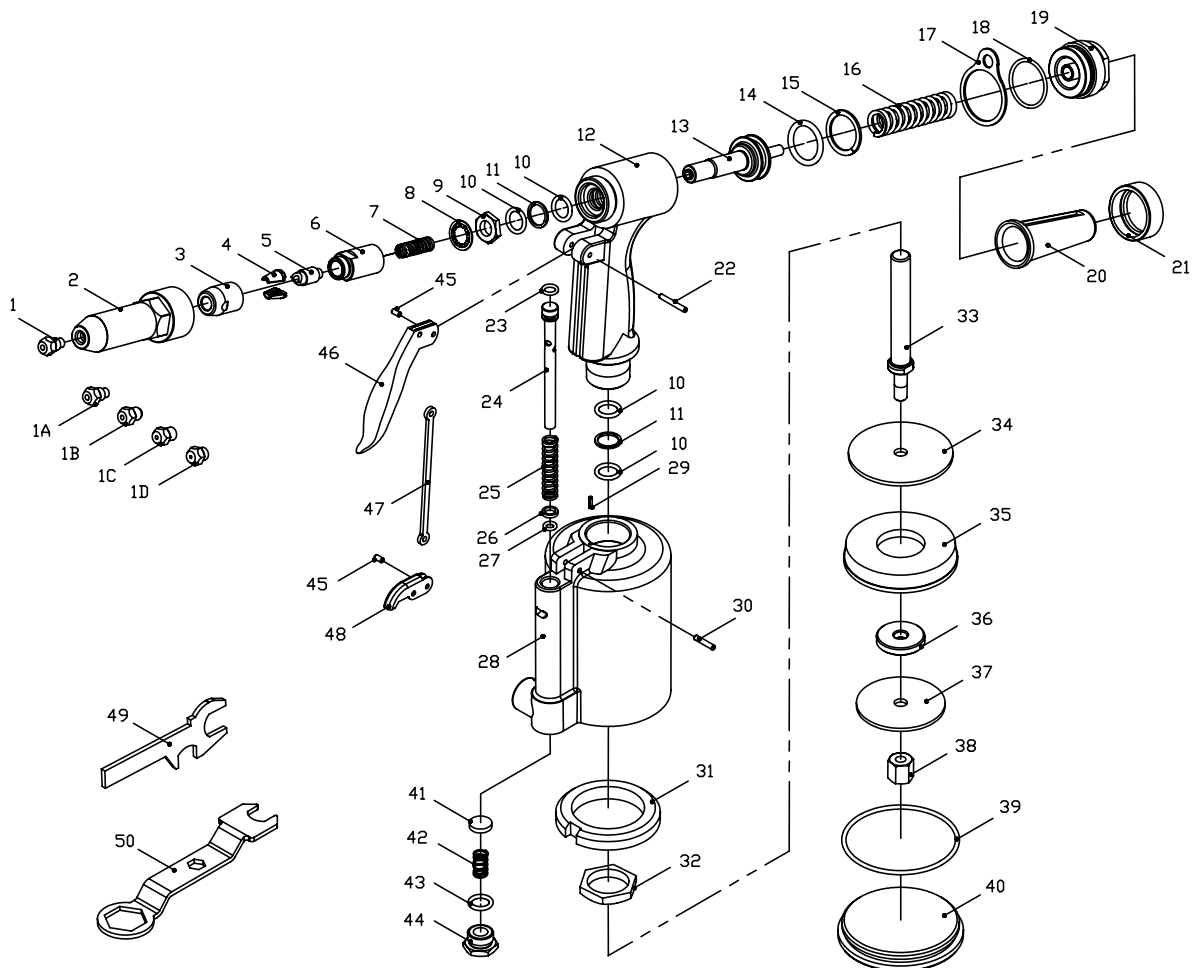


0900 0501 - REMACHADORA NEUMÁTICA



SPECIFICATIONS :

- * NOSEPIECE -- 3/32" (2.4mm), 1/8" (3mm), 5/32" (4mm), 3/16" (4.8mm)
- * AIR PRESSURE ----- 90 PSI
- * AIR INLET ----- 1/4" PT(NPT)

- * TRACTION POWER ----- 720 kg
- * HOSE SIZE ----- 3/8" ID

REF NO.	PARTS NO.	DESCRIPTION	Q'TY	REF NO.	PARTS NO.	DESCRIPTION	Q'TY
1A	0900050101A	NOSEPIECE, 3/16" (4.8mm)	1	25	0900050125	SPRING, VALVE	1
1B	0900050101B	NOSEPIECE, 5/32" (4.0mm)	1	26	0900050126	COLLAR, VALVE	1
1C	0900050101C	NOSEPIECE, 1/8" (3.2mm)	1	27	0900050127	"O" RING (d5.8xW1.9)	1
1D	0900050101D	NOSEPIECE, 3/32" (2.4mm)	1	28	0900050128	CYLINDER	1
2	0900050102	FRAME HEAD	1	29	0900050129	SPRING PIN (Ø2x8L)	1
3	0900050103	JAW CASE, FRONT	1	30	0900050130	SPRING PIN (Ø3x16L)	1
4	0900050104	JAW	2	31	0900050131	RUBBER CUSHION	1
5	0900050105	JAW PUSHER	1	32	0900050132	LOCK NUT, FRAME	1
6	0900050106	JAW CASE, REAR	1	33	0900050133	STEM, AIR PISTON	1
7	0900050107	SPRING, JAW PUSHER	1	34	0900050134	PLATE, LARGE	1
8	0900050108	CASE WASHER RING	1	35	0900050135	PISTON RING	1
9	0900050109	LOCK NUT	1	36	0900050136	WASHER	1
10	0900050110	"O" RING (d11.8xW2.4)	4	37	0900050137	PLATE, SMALL	1
11	0900050111	BACKUP RING	2	38	0900050138	LOCK NUT, PISTON	1
12	0900050112	FRAME	1	39	0900050139	"O" RING (d67.95xW2.62)	1
13	0900050113	PISTON ASSY.	1	40	0900050140	CAP, CYLINDER	1
14	0900050114	"O" RING (d21.7xW3.5)	1	41	0900050141	VALVE	1
15	0900050115	BACKUP RING	1	42	0900050142	SPRING, VALVE	1
16	0900050116	SPRING	1	43	0900050143	"O" RING (d11.8xW2.4)	1
17	0900050117	HANGING CLIP	1	44	0900050144	CAP, VALVE	1
18	0900050118	"O" RING (d27.0xW2.0)	1	45	0900050145	SPRING PIN (Ø3x6L)	2
19	0900050119	FRAME CAP	1	46	0900050146	TRIGGER	1
20	0900050120	SAFETY CAP	1	47	0900050147	TRIGGER ROD	1
21	0900050121	NUT, FRAME CAP	1	48	0900050148	TRIGGER LEVER	1
22	0900050122	SPRING PIN (Ø3x22L)	1	49	0900050149	SPANNER GAUGE	1
23	0900050123	"O" RING (d6.8xW1.9)	1	50	0900050150	SPANNER	1
24	0900050124	PUSHER, VALVE	1				

Optional Parts



** To get maximum performance and life of your tool, replace the whole set of Parts Kit is highly recommended.