



## DESPIECE 71001015



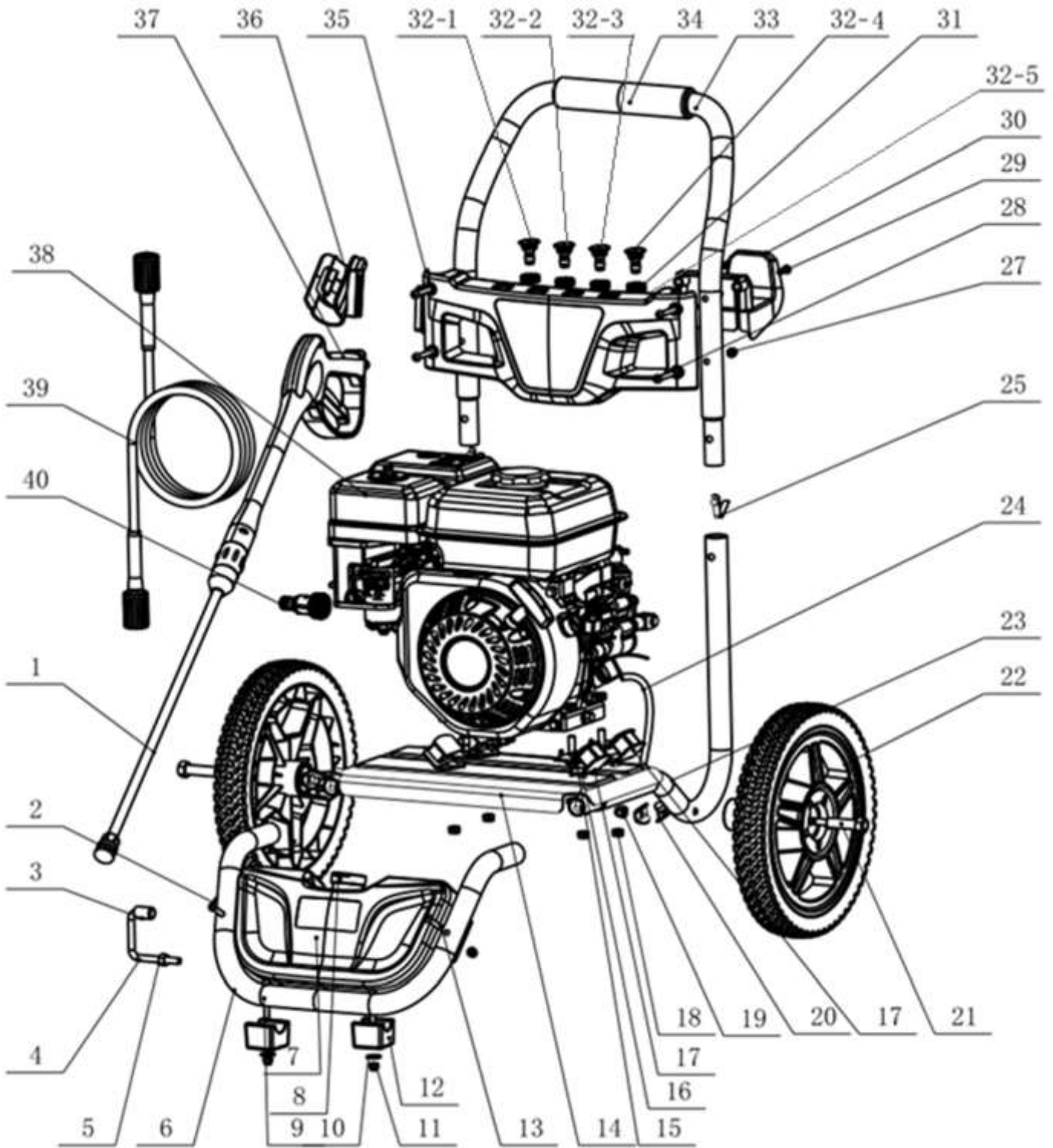
**Categoría productos: Hidrolavadora**  
**Grupo producto: GASOLINA**  
**Potencia: 7 CV**

**Versión: 210CC**





FIGURA 1





**FIG. 1 MICHIGAN**

Nº	Ref. Cofan	Nº Ref. Rec	Descripción	English name	Uds.
1	71001015.001	LT810B-F1-01	LANZA	LANDE FOR SPRAY GUN	1
2	71001015.002	LT810B-F1-02	TUERCA M8	M8 FLANGE NUT	1
3	71001015.003	LT810B-F1-03	TAPA TORNILLO TIPO L	L TYPE SCREW COVER	1
4	71001015.004	LT810B-F1-04	TORNILLO TIPO L	L TYPE SCREW	1
5	71001015.005	LT810B-F1-05	TUERCA M8	M8 FANGE NUT	1
6	71001015.006	LT810B-F1-06-B	CHASIS DELANTERO BLUE	BLUE FRAME BELOW	1
7	71001015.007	LT810B-F1-07	DEPOSITO JABON	SOAP BOTTLE	1
8	71001015.008	LT810B-F1-08	TAPA DEPOSITO	SOAP BOTTLE COVER	1
9	71001015.009	LT810B-F1-09	TORNILLO M6X45	CROSS SCREW M6X45	2
10	71001015.010	LT810B-F1-10	ARANDELA	WASHER	2
11	71001015.011	LT810B-F1-11	TUERCA M6	M6 NUT	2
12	71001015.012	LT810B-F1-12	PIE CHASIS	ABSORB FOR FRAME BELOW	2
13	71001015.013	LT810B-F1-13	TORNILLO M6X35	CROSS SCREW M6X35	2
14	71001015.014	LT810B-F1-14-B	CHASIS INTERMEDIO BLUE	BLUE FRAME MIDDLE	1
15	71001015.015	LT810B-F1-15	TORNILLO M8X35	BOLT M8*35	4
16	71001015.016	LT810B-F1-16	TORNILLO M8X20	BOLT M8*20	4
17	71001015.017	LT810B-F1-17	AMORTIGUADOR MOTOR	ABSORB FOR ENGINE	4
18	71001015.018	LT810B-F1-18	TORNILLO M8	SCREW M8	8
19	71001015.019	LT810B-F1-19	TORNILLO M8	SCREW M8	2
20	71001015.020	LT810B-F1-20	ARANDELA	WASHER	4
21	71001015.021	LT810B-F1-21	EJE	SHAFT	2
22	71001015.022	LT810B-F1-22	RUEDA	WHEEL	2
23	71001015.023	LT810B-F1-23-B	CHASIS TRASERO BLUE	BLUE FRAME	2
24	71001015.024	LT810B-F1-24	MANGUERA SUCCION	SOAP BOTTLE SUCTION HOSE	1
25	71001015.025	LT810B-F1-25	PASADOR CLIP	HOODLE	4
27	71001015.027	LT810B-F1-27	TAPON TUERCA M6	CAP NUT M6	6
28	71001015.028	LT810B-F1-28	TORNILLO M6X40	CROSS SCREW M6X40	4
29	71001015.029	LT810B-F1-29	TORNILLO ST4.8X30	CROSS SCREW ST4.8X20	3
30	71001015.030	LT810B-F1-30	PLASTICO	PLASTIC	1
31	71001015.031	LT810B-F1-31	TAPA BOQUILLAS	PLASTIC NOZZLE RUBBER COVER	4
32-1	71001015.032	71HD000034	BOQUILLA 0º	RED NOZZLE 0º	1
32-2	71001015.033	71HD000035	BOQUILLA 15º	YELOW NOZZLE 15º	1
32-3	71001015.034	71HD000036	BOQUILLA 25º	GREEN NOZZLE 25º	1
32-4	71001015.035	71HD000037	BOQUILLA 40º	WHITE NOZZLE 40º	1
32-5	71001015.036	71HD000038	BOQUILLA JABON	BLACK SOAP NOZZLE	1
33	71001015.037	LT810B-F1-33-B	ASIDERO BLUE	BLUE HANDLE	1
34	71001015.038	LT810B-F1-34	FUNDA ASIDERO	THE PROTECT HANDLE COVER	1
35	71001015.039	LT810B-F1-35	PANEL	PLASTIC PANEL	1
36	71001015.040	LT810B-F1-36	GANCHO PISTOLA	GUN RACK	1
37	71001015.041	LT810B-F1-37	PISTOLA	COMPLETE ENGINE	1
38	71001015.042	LT810B-F1-38	MOTOR	GUN GRIO	1
39	71001015.043	LT810B-F1-39	MANGUER PRESION	HIGH PRESSURE HOSE	1
40	71001015.044	LT810B-F1-40	CONECTOR ENTRADA AGUA	WATER INLET CONNECTOR	1





FIGURA 2

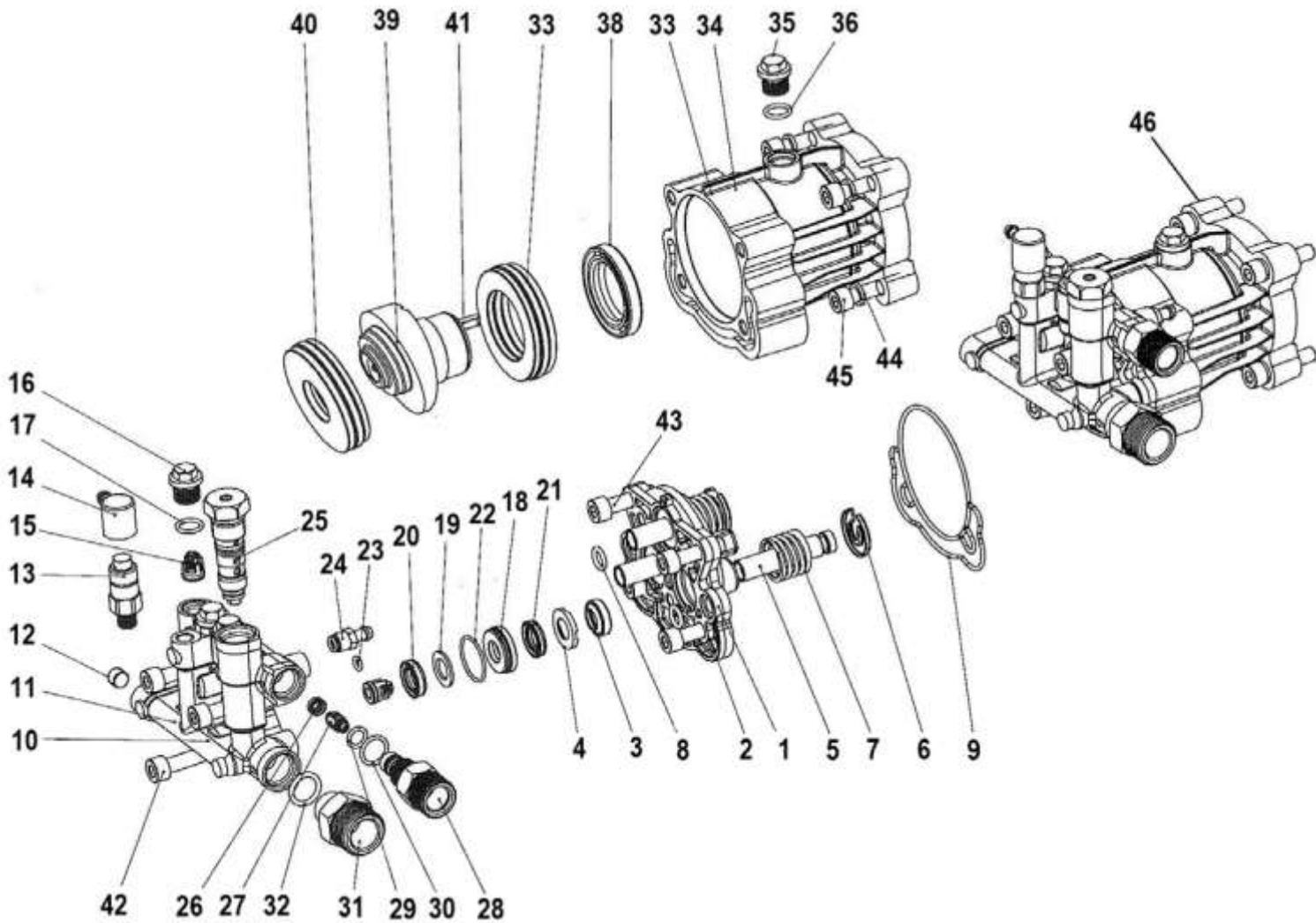




FIGURA 3





FIG. 2 MICHIGAN

Nº	Ref. Cofan	Nº Ref. Rec	Descripción	English name	Uds.
1	71001015.045	LT810B-F2-01	CUERPO BOMBA COMPLETO	PUMP BODY ASSY	1
2	71001015.046	LT810B-F2-02	CUERPO BOMBA	PUMP BODY	1
3	71001015.047	LT810B-F2-03	RETEN 12X20X5	PLUNGER OIL SEAL 12X20X5	1
4	71001015.048	LT810B-F2-04	SOPORTE RETEN	OIL SEAL BRACKET	1
5	71001015.049	LT810B-F2-05	EJE	PLUNGER	1
6	71001015.050	LT810B-F2-06	PLACA EJE	PLUNGER PLATE	1
7	71001015.051	LT810B-F2-07	MUELLE EJE	PLUNGER SPRING	1
8	71001015.052	LT810B-F2-08	ANILLO	O RING	1
9	71001015.053	LT810B-F2-09	JUNTA	SPECIAL-SHAPED SEAL	1
10	71001015.054	LT810B-F2-10	TAPA BOMBA	PUMP COVER ASSY	1
11	71001015.055	LT810B-F2-11	TAPA METAL	BRASS PUMP COVER	1
12	71001015.056	LT810B-F2-12	TAPON	CAP	1
13	71001015.057	LT810B-F2-13	VALVULA	THERMO VALVE	1
14	71001015.058	LT810B-F2-14	TAPA VALVULA	THERMO VALVE COVER	1
15	71001015.059	LT810B-F2-15	VALVULA ANTIRETORNO	CHECKING VALVE ASSY	1
16	71001015.060	LT810B-F2-16	TAPON VALVULA	CHECKING VALVE CAP ASSY	1
17	71001015.061	LT810B-F2-17	ANILLO	O RING	1
18	71001015.062	LT810B-F2-18	RETEN AGUA	WATER SEAL SEAT & WATER SEAL ASSY	1
19	71001015.063	LT810B-F2-19	JUNTA RETEN	WATER SEAL GASKET	1
20	71001015.064	LT810B-F2-20	RETEN	WATER SEAL	1
21	71001015.065	LT810B-F2-21	RETEN	WATER SEAL	1
22	71001015.066	LT810B-F2-22	ANILLO	O RING	1
23	71001015.067	LT810B-F2-23	ANILLO	O RING	1
24	71001015.068	LT810B-F2-24	BOQUILLA SIFON	SIPHON NOZZLE ASSY	1
25	71001015.069	LT810B-F2-25	VALVULA DESCARGA	RELIEF VALVE ASSY	1
26	71001015.070	LT810B-F2-26	SOPORTE VALVULA	BACK PRESSURE VALVE SEAT	1
27	71001015.071	LT810B-F2-27	VALVULA PRESION	BACK PRESSURE VALVE ASSY	1
28	71001015.072	LT810B-F2-28	CONECTOR TUBO ENTRADA	OUTLET TUBE ASSY & OUTLET CONNECTOR	1
29	71001015.073	LT810B-F2-29	ANILLO	O RING	1
30	71001015.074	LT810B-F2-30	ANILLO	O RING	1
31	71001015.075	LT810B-F2-31	CONECTOR TUBO SALIDA	INLET TUBE & INLET CONNECTOR	1
32	71001015.076	LT810B-F2-32	ANILLO	O RING	1
33	71001015.077	LT810B-F2-33	CONJUNTO CILINDRO ACEITE	OIL CYLINDER ASSY	1
34	71001015.078	LT810B-F2-34	CILINDRO ACEITE	OIL CYLINDER	1
35	71001015.079	LT810B-F2-35	TAPON VALVULA	CHECKING VALVE CAP	1
36	71001015.080	LT810B-F2-36	ANILLO	O RING	1
37	71001015.081	LT810B-F2-37	COJINETE 42	BEARING 42	1
38	71001015.082	LT810B-F2-38	RETEN 52X35X8	OIL SEAL 52*35*8	1
39	71001015.083	LT810B-F2-39	PLACA OSCILANTE	SWASH PLATE	1
40	71001015.084	LT810B-F2-40	COJINETE 25	BEARING 25	1
41	71001015.085	LT810B-F2-41	CHAVETA	FLAT KEY	1
42	71001015.086	LT810B-F2-42	TORNILLO M8X45	BOLT M8*45	1
43	71001015.087	LT810B-F2-43	TORNILLO M8X30	BOLT M8*30	1
44	71001015.088	LT810B-F2-44	JUNTA M8	GASKET M8	1
45	71001015.089	LT810B-F2-45	TORNILLO M8X35	BOLT M8X35	1
46	71001015.090	LT810B-F2-46	BOMBA COMPLETA	PUMP ASSY	1




**FIG. 3 MICHIGAN**

Nº	Ref. Cofan	Nº Ref. Rec	Descripción	English name	Uds.
1	71001015.101	511060803301	Tornillo M8x33,5	Screw M8x33,5	6
2	71001015.102	522010100401	Reten	Retain	2
3	71001015.103	012020000800	Tapa carter	Crankcase coverarter	1
4	71001015.104	012020200000	Tapón nivel aceite	Oil level plug	2
5	71001015.105	012020000900	Junta carter	Carter gasket	1
6	71001015.106	514010801400	pasador guía	guide pin	2
7	71001015.107	521010010501	Cojinete bancada	Main bearing	2
8	71001015.108	012030200000	Árbol levas	Camshaft	1
9	71001015.109	012030100001	Cigüeñal	Crankshaft	1
10	71001015.110	012020000500	Eje pinón	Pinionshaft	1
11	71001015.111	012020000600	Anillo	Ring	1
12	71001015.112	012020100000	Piñon gobernador	Governor pinion	1
13	71001015.113	019990000600	Arandela	Washer	2
14	71001015.114	012020000700	casquillo	cap	1
15	71001015.115	518041800000	frenillo bulón	frenulum bolt	2
16	71001015.116	012020500000	Biela	Connecting rod	1
17	71001015.117	012020002600	Bulón	Bolt	1
18	71001015.118	012030000400	Pistón	Piston	1
19	71001015.119	012030400000	Juego segmentos	Game segments	1
20	71001015.120	511050602201	Tornillo M6x22	M6x22 screw	4
21	71001015.121	019990000300	Tapón vaciado	Drained plug	2
22	71001015.122	019990000400	Junta tapón	Plug gasket	2
23	71001015.123	012030000104	Cilindro	Cylinder	1
24	71001015.124	012030000300	Taquet	Taquet	2
25	71001015.125	012020002200	Varilla válvula	Valve rod	2
26	71001015.126	516040803401	Esparrago escape	Asparagus exhaust	2
27	71001015.127	511050601201	Tornillo M6x12	M6x12 screw	14
28	71001015.128	012020002301	Tapa	Top	1
29	71001015.129	012021700000	Chapa guía	Guide plate	1
30	71001015.130	012020300000	Kit balancines	Rocker kit	2
31	71001015.131	012020001100	Junta	Council	1
32	71001015.132	012020001000	Tapa balancines	Rocker cover	1
33	71001015.133	012020001300	Casquillo tapón	Cap bushing	1
34	71001015.134	012020001500	Fijador muelle in.	Inner spring fixer	1
35	71001015.135	012020001400	Fijador muelle ext.	External spring damp	1
36	71001015.136	012020001600	muelle valvula	valve spring	2
37	71001015.137	012020002400	Reten	Retain	1
38	71001015.138	511050806006	Tornillo M8x60	M8x60 screw	4
39	71001015.139	012020003300	Bujia	Spark plug	1
40	71001015.140	012030001400	Culata	Butt	1
41	71001015.141	012030000600	Valvula interior	Inner valver	1
42	71001015.142	012030000700	Valvula exterior	External valve	1
43	71001015.143	012030000502	Junta culata	Cylinder head gasket	1
44	71001015.144	514011001600	Eje guía	Guideshaft	2
45	71001015.145	012020800000	Volante magnético	Magnetic flywheel	1
46	71001015.146	012020002700	Ventilador	Fan	1





FIG. 3 MICHIGAN

Nº	Ref. Cofan	Nº Ref. Rec	Descripción	English name	Uds.
47	71001015.147	012020003201	Electrónico	Electronic	1
48	71001015.148	012020005300	Taza arramcador	Starter mug	1
49	71001015.149	012020002900	Tuerca volante	Flywheelnut	1
50	71001015.150	012020006801	carcasa	Case	1
51	71001015.151	019990001100	Interruptor	switchr	1
52	71001015.152	012021500001	Arrancador	Starter	1
53	71001015.153	516050611201	Tornillo M6x1 12	ScrewM6x112	2
54	71001015.154	012020003800	Junta admisión	Admission board	1
55	71001015.155	012020003900	Cuello admisión	Neck admission	1
56	71001015.156	012020004000	Juanta carburador	Carburettor gasket	1
57	71001015.157	012030300001	Carburador	Carburetor	1
58	71001015.158	012020004100	Junta filtro	Filter gasket	1
59	71001015.159	012021000004	Filtro aire	Air filter	1
60	71001015.160	012020004800	Placa	License plate	1
61	71001015.161	511050600807	Tornillo M6x8	M6x8screw	4
62	71001015.162	012020000200	Eje gobernador	Governor shaft	1
63	71001015.163	513010600002	Arandela	Washer	1
64	71001015.164	019990000700	Clip	Clip	1
65	71001015.165	012020004600	Brazo gobernador	Governor arm	1
66	71001015.166	012020004500	Tornillo	Screw	1
67	71001015.167	512040600001	Tuerca M6	NutM6	5
68	71001015.168	012020004202	Muelle	Dock	1
69	71001015.169	012020004300	Muelle	Dock	1
70	71001015.170	012020004400	Varilla	Dipstick	1
71	71001015.171	019990000500	Tubo depresor	Depressor tube	1
72	71001015.172	029049910200	Junta escape	Exhaust gasket	1
73	71001015.173	01202000340005	Silenciador	Muffler	1
74	71001015.174	513010800002	Arandela	Washer	2
75	71001015.175	513020800002	Arnadela	Washer	2
76	71001015.176	012021200001	Mecanismo gobernador	Governor Mechanism	1
77	71001015.177	019990001300	Tapón gasolina	Gasoline stopper	1
78	71001015.178	012020003600	Filtro llenado	Filled filter	1
79	71001015.179	012020003702	Depósito gasolina	Gasoline tank	1
80	71001015.180	019990001201	Conector	Connector	1
81	71001015.181	029019900401	Clip	Op	1
82	71001015.182	029019900100	Tubo gasolina	Gasoline tube	-
83	71001015.183	029019900408	Clip	Clip	1
84	71001015.184	512040800001	Tuerca M8	Nut M8	2
85	71001015.185	511050602803	Tornillo M6x28	Screw M6x28	1
86	71001015.186	019990001700	Valvula aceite	Oil valve	1
87	71001015.187	012020005100	Sensor aceite	Oil sensor	1
88	71001015.188	519010100100	Chaveta	Key	2
89	71001015.189	029019901400	Sinemblock	Sinemblock	1
90	71001015.190	029940330001	Protector escape	Exhaust protector	1

